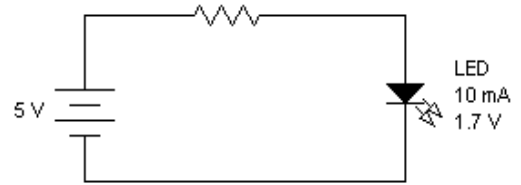
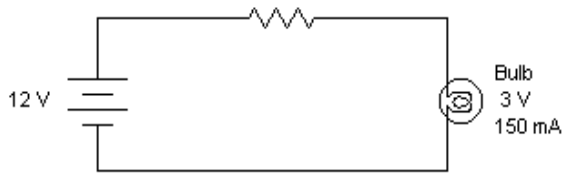
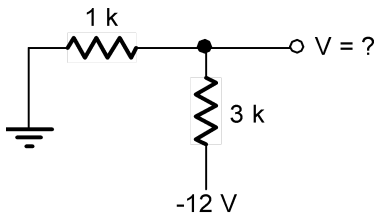


1. Choose an appropriate value for the load resistor:

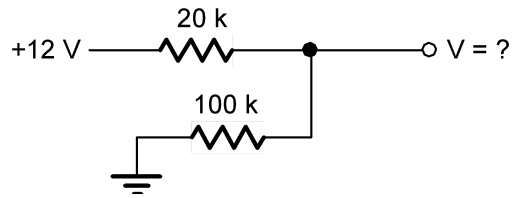


2. Determine the unknown quantity in the following circuits. Assume the output has no current flowing out unless indicated. You'll see things you don't recognize but you don't need to know what they are, there is enough information to solve the problem.

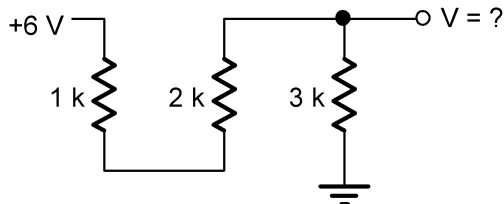
a.



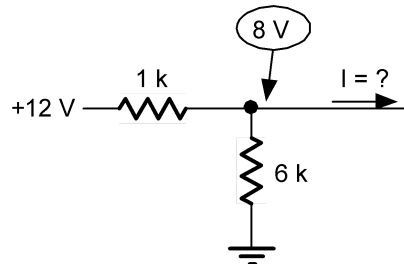
b.



c.

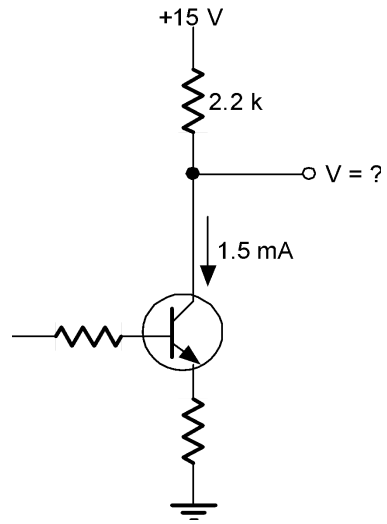
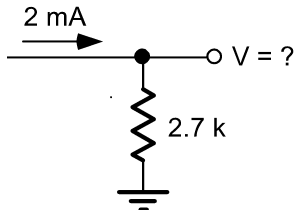


d.



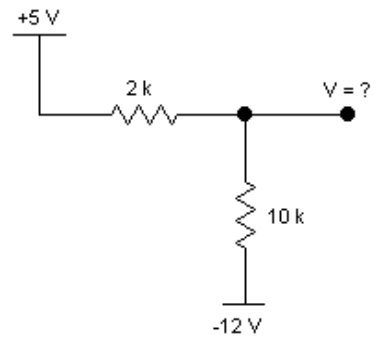
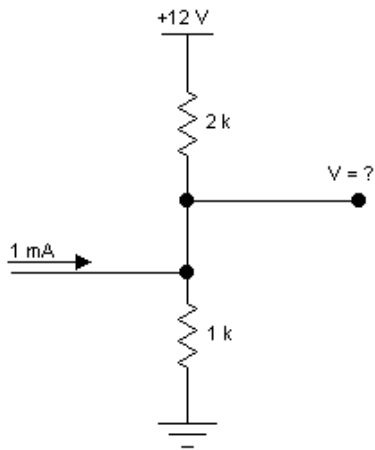
e.

f.

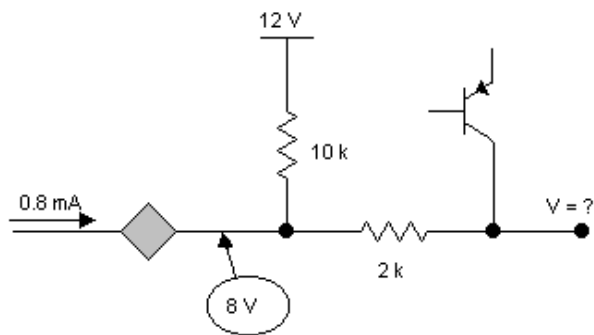


f.

g.



h.



i.

j.

